

# PET (Positron Emission Tomography) Scan

A PET scan is a test that shows:

- Blood flow to a part of your body
- How your tissues are using nutrients such as oxygen
- If your cells are normal

A small amount of radioactive solution is put in a vein in your arm. This solution allows pictures to be taken of the part of your body that is to be checked. The solution leaves your body after a few days.

**If you have any allergies to medicines, foods or other things, tell the staff before the test.**

**If you are breastfeeding, pregnant or think you might be, tell the staff before the test.**

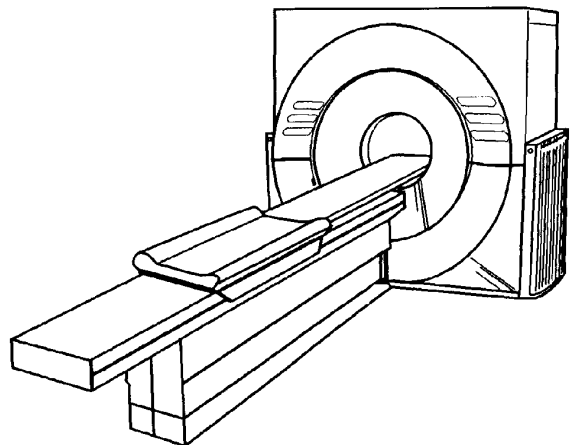
**Arrive on time for your test.** Plan to be here about 3 hours. The test takes 45-90 minutes.

## To Prepare

- Do not eat or drink anything, including water, for 5 hours before the test.
- Take your medicines with sips of water only.
- If you have diabetes, talk to your doctor about how to manage your blood sugar the day of your test. If you take insulin, bring it with you.
- If your doctor has ordered medicine for pain, anxiety, or claustrophobia that you need to take during your test, bring it with you. You will also need to have someone with you to take you home after the test.
- You may bring tapes or CDs to listen to during the test.

## During the Test

- You are asked to go to the toilet and empty your bladder before the test begins.
- An IV (intravenous) is put in a vein in your arm.
- The solution is given in your IV.



- You need to lie still for up to 1 hour while the solution moves in your blood.
- As you lie flat and still on your back, the table moves you to different positions. The scanner takes pictures of your body. This takes 45-90 minutes. You may listen to music or just rest.

### **After the Test**

- Drink 8-10 glasses of liquids to remove the solution from your body.
- Test results are sent to your doctor. Your doctor will share the results with you.

**Talk to your doctor or nurse if you have any questions or concerns.**